

ERBESSD INSTRUMENTS®

Phantom  
USB Gateway

The background features a dark purple gradient with intricate, white, curved lines that create a sense of motion and depth, resembling a stylized network or data flow.

The Phantom Condition Monitoring System  
has evolved.

Evolve your reliability with

**Phantom**

# USB Gateway

Take full control of your  
system directly from the USB  
Gateway

The most powerful direct link  
between your

**Phantom sensors and**

**DigivibeMX** on your Microsoft  
Windows® PC simplifying IT  
related barriers.



## NEW FEATURES

Your **feedback matters**, and that feedback drives our **product innovation**.

Find all the same characteristics as the standard gateway but with **new & exciting features**.



- Full compatible communications **protocols including OPC-UA, MQTT** and the well known **Modbus TCP/IP**.
- Simultaneous data collection from sensors.
- OTA Gateway & Sensor Firmware and Configuration Updates from local Gateway UI, or from anywhere in the world using EI Analytic.
- **On demand** collection from the Gateway user interface.

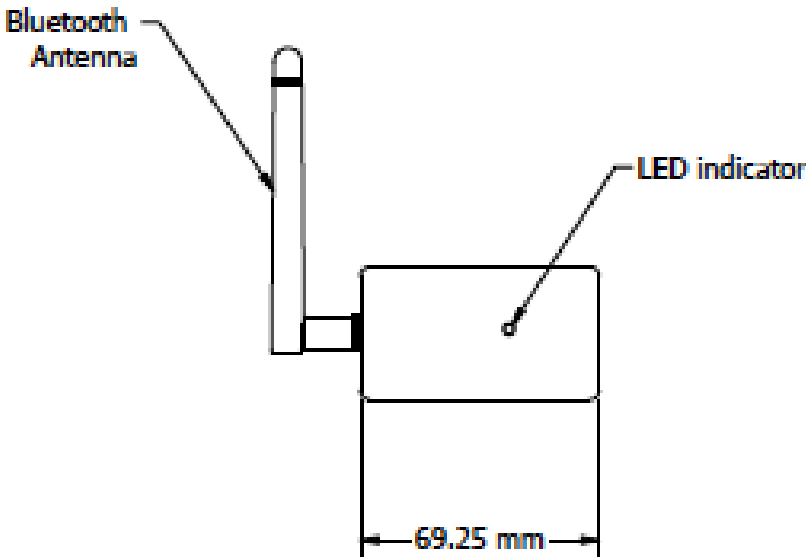
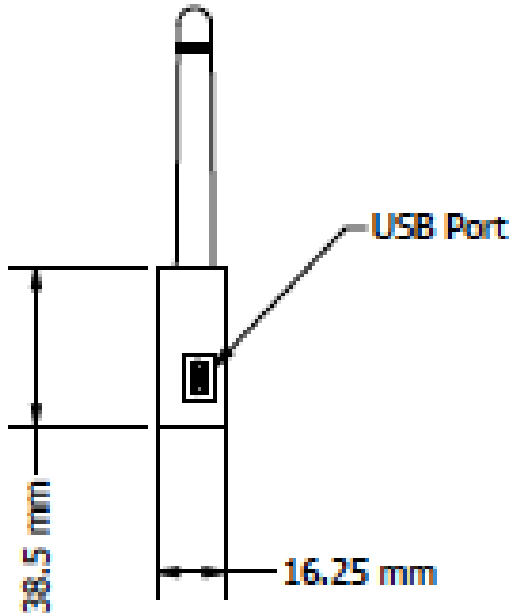
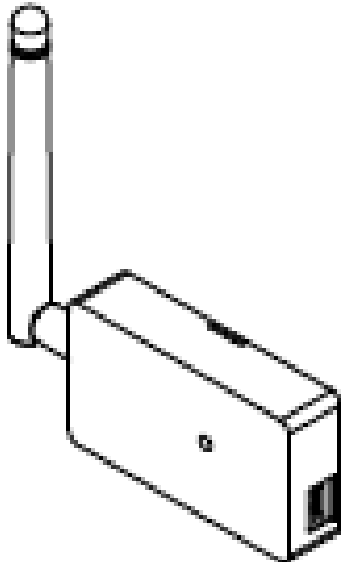
## TECHNICAL SPECIFICATIONS



<b>INFORMATION</b>	
Product code	EPH-USB-GW
Storage	Unlimited Storage Based on Micorsoft Windows® PC SSD/HDD Capacity
Nodes supported	Up to 250 Nodes
<b>CONNECTIVITY AND SOFTWARE</b>	
WiFi protocol	2.4GHz/5GHz WiFi
Bluetooth protocol	Bluetooth Low Energy 5.0
Operation frequency	2.4 gHZ
Network port	WiFi 802.11
Antenna gain	3dBi Antenna
Antenna connector	RP-SMA Male Connections
USB Connector	USB-C or USB-A connector
Compatible protocols	Modbus TCP, OPC UA, MQTT, and HTTP Websocket
Wireless range	100 m Line of Sight*
Compatibility	DigivibeMX 11 & EI Analytic
<b>POWER SUPPLY</b>	
Input voltage	5 VDC 1A Max (through USB)
Minimum current required	2 A
<b>DIMENSIONS AND FIXTURE</b>	
Dimensions	2.72 x 1.52 x 0.65 in (without antenna)
Weight	50 gr (with antenna)
Housing Material	ABS / Ballistic Nylon
<b>ENVIRONMENTAL CONDITIONS</b>	
Operating temperature	-7 to 60 °C (20 to 140 °F)
Protection grade	IP54

\*Ideal enviroment. No competing signals or obstructions.

# PARTS & DIMENSIONS



# MEET THE PHANTOM WIRELESS ECO-SYSTEM

## Phantom Expert Gen 3 & ATEX

Our popular triaxial vibration sensor. It is able to send 3 simultaneous FFT and time waveform recordings. Available in **High Sensitivity**, **High Range** and **ATEX**.



## Phantom Thermocouple & Phantom Infrared

Have better control of your machines temperature. You can connect up to 3 thermocouple sensors or acquire the **infrared** temperature sensor so you can monitor with extreme precision.



## Phantom RPM

With the RPM sensor you can easily analyze the revolutions per minute of any rotor, turbine or fan with incredible precision with a maximum speed of 600kRPM.



## Phantom Current

The Phantom current module allows you to measure up to 4 amperage channels with clamps that start with 50 amps and goes up to 500 amps.



## Phantom

General Purpose modules that are compatible with any hard wired sensor to obtain wireless data. Available for **4-20mA**, **0-10V**, **Digital Signals** and **2.2Vpp** sensors.



## Phantom Thermographic Camera

With the Phantom thermal camera you can take infrared images of surfaces or objects at a distance of no more than 1m. Use DigivibeMX to create trends and alarms.



Analyze and visualize the data of machines with

DigivibeMX®



Access to your information in an easy way through your browser or DigivibeMX.

Phantom sensors are compatible with communication protocols:



(using USB Gateway)



# **ERBESSD INSTRUMENTS®**

**WORLDWIDE toll-free:**

+1-877-223-4606

**ENGLISH:**

**Sales, Service & Support Engineer**

+1-518-874-2700

[info@erbessdreliability.com](mailto:info@erbessdreliability.com)

**SPANISH & FRENCH:**

**Sales, Service & Support Engineer**

+52 (55) 6280-7654

[info@erbessd-instruments.com](mailto:info@erbessd-instruments.com)

**BUY ONLINE**

**[www.erbessd-instruments.com](http://www.erbessd-instruments.com)**

ALL THE IMAGES ARE FOR ILLUSTRATIVE PURPOSES ONLY. THE FINAL PRODUCT MAY VARY DEPENDING ON THE VERSION AND/OR THE CHANGES OR UPGRADES MADE TO THE PARTS AND COMPONENTS OF THE DEVICES

© 2018 ERBESSD INSTRUMENTS

P3-DS2022.1014.01